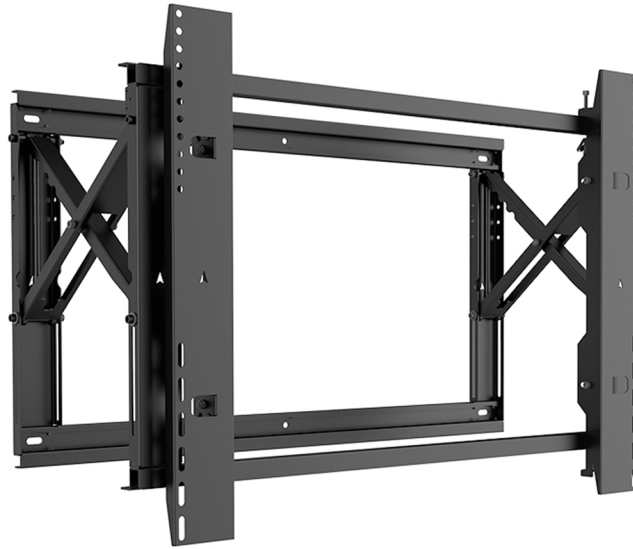


Heavy Duty Gas Spring Micro Adjust Pop-Out Video Wall Mount

HVW-90

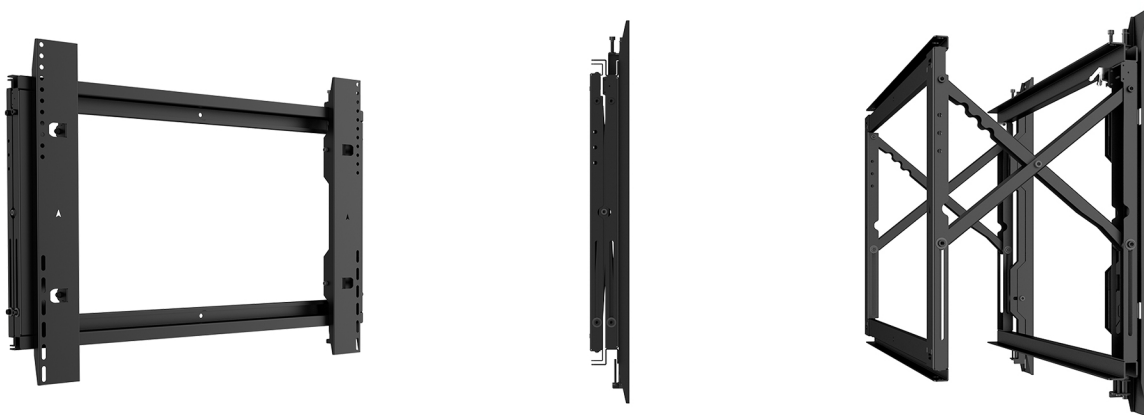


DESCRIPTION:

Heinrich's HVW-90 Heavy Duty Video Wall Mount supports up to 198LBS (45"-90" display). It is a perfect solution for public and commercial displays with anti-theft design (require for a pad-lock). And support VESA from 200 x 200mm (Min) to 800x600 (Max). the distance to wall range is from 60mm to 333mm.

SPECIFICATION:

Model	HVW-90
Description	Heavy duty video wall mount
TV Size	45" -90"
Weight Capacity	198lbs(90kg)
Vesa Pattern	200 x 200mm (Min) , 800x600 (Max)
Material	2mm SPCC
Swivel Range	N/A



Disclaimer: As per our company policy one of the constant product improvements the right is there for reserved to modify the product specification without prior notice and the picture shown in the datasheet is a design base, the actual picture may vary.