

50-70in TV Gas Spring Video Wall Mount

HVW-80

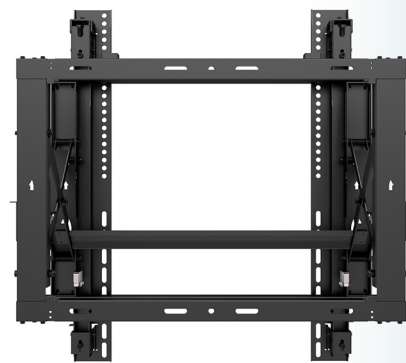


DESCRIPTION:

Heinrich's HVW-80 video wall mount features a gas spring innovative pop-out function that provides quick and easy rear of screen access. It also features 6 points of vertical, tilt and depth adjustment for seamless display alignment and leveling. The mount can hold up to 110lbs(50kg), and suits most of 50"-70" display and supports VESA from 200 x 200mm (Min) to 600x600 (Max).

SPECIFICATION:

Model	HVW-80
Description	50" -70"
TV Size	110lbs(50kg)
Weight Capacity	200 x 200mm (Min) ,
Vesa Pattern	600x600mm (Max)
Material	2mm SPCC
Distance to Wall	77-276.2mm



Disclaimer: As per our company policy one of the constant product improvements the right is there for reserved to modify the product specification without prior notice and the picture shown in the datasheet is a design base, the actual picture may vary.