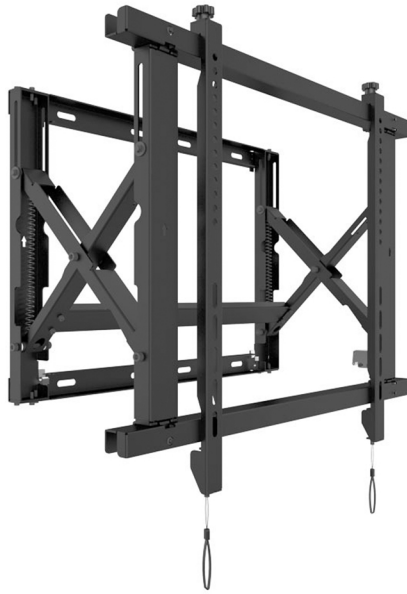


Micro Adjust Pop-Out Video Wall Mount for LCD TV Advertising Screen

HVW-60

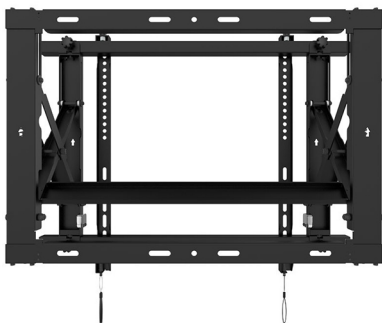


DESCRIPTION:

Heinrich's HVW-60 Multi-dimensional micro adjustment enables precision alignment of the video wall configuration including depth, height and tilt. This video wall mount features a quick-release pop-out mechanism for easy installation and maintenance. Its 6 points micro adjustment function make the distance to wall range is from 67mm to 265.5mm. The mount can hold up to 100lbs (45kg), and suits for most of 32" - 70" display and supports VESA from 200x200mm (Min) to 600x400mm (Max).

SPECIFICATION:

Model	HVW-60
Description	Video wall Mount
TV Size	32" -70"
Weight Capacity	100lbs(45kg)
Vesa Pattern	200 x 200mm (Min) , 600x400 mm(Max)
Material	2mm SPCC
Distance to Wall	60-333mm



Disclaimer: As per our company policy one of the constant product improvements the right is there for reserved to modify the product specification without prior notice and the picture shown in the datasheet is a design base, the actual picture may vary.